

LED Light Bar

INSTRUCTION MANUAL

[Model : CWA]

Thank you for purchasing the PATLEDs LED Light Bar for your application. Prior to installation, please read through this manual for proper installation and precautionary steps. In addition, please store this manual for future reference when performing maintenance, repairs or inspections. If you have any questions regarding this product, please contact our PATLITE Sales Representative.

Safety Precautions

In order to prevent any damage to the user and other personnel or to assets, note the following:

◆ The following symbols classify the following precautions into two categories and explain the level of harm inflicted when caution is disregarded while using this product.

Warning Displays the warning "Failure to follow warning may lead to death or severe injury".

Caution Displays the warning "Failure to follow caution may lead from light to medium injury or may lead to property loss or injury to others".

◆ The following symbols indicate and explain the nature of the information to be observed.

Prohibited This symbol indicates "Prohibited", which should not be carried out by all means.

Enforced This symbol indicates "Enforced", which should be observed and carried out by all means.

1. For safe application, observe the following:

Warning

- Do not disassemble or modify this product. Failure to comply may result in electric shock or fire.
- After installing this product, be careful not to use this product to climb onto a machine, or to get anything snagged onto this product while it is mounted on equipment, etc. Failure to comply may result in falling off the machinery or product damage may occur.

- Be sure to disconnect the power when wiring, mounting, exchanging, or repairing the product. Failure to comply may result in damage of the internal circuitry and the danger of electric shock due to short-circuiting.
- Request the installation and wiring to be accompanied by a professional contractor. Failure to comply may result in electric shock, fire, or falling from high places.
- When this product is used for security purposes, it should be inspected daily, and to be used in conjunction with other security products, in case a malfunction should occur.
- Verify the installation location is a firm location which can handle the weight of the product and has no adverse vibrations. If installed in a place where vibration is frequent and/or exceeds the specifications, damage to the product may occur.
- The designated screws should be used for installation. Any parts used that are not specified may result in product damage or personal injury.

Caution

- In order to avoid danger to the eyes, do not stare into the beam, do not view directly into the optical instrument, and don't turn the beam towards someone's eyes. The LED beam is hazardous to the eyes.
- Do not loosen any body screws. It will have an adverse effect on the protection rating.
- Verify that the specified operating voltage is not exceeded.
- For safety measures, be sure to connect an external fuse to protect from overcurrents or overvoltages from mis-wiring, etc. The product can be protected by short-circuiting due to mis-wiring and overcurrents or overvoltages which can damage it.
- Avoid installation in the following locations:
 - Near space heaters or places where high temperatures are present.
 - In locations where chemical or explosive gasses, etc., are present.

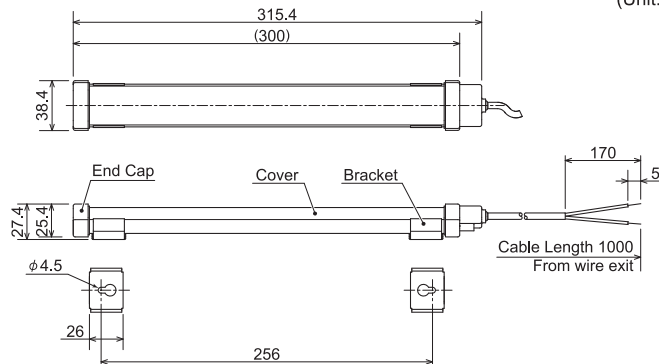
2. Model Number Configuration

CWA3S-24-CD

■ Light Unit Length ■ Rated Voltage ■ Color
 3 : 300mm 24 : 24V DC CD : Daylight

3. Part Names and Dimensions

(Unit:mm)



4. Installation

Warning

- Do not modify or disassemble the product. Failure to comply may result in electric shock or fire.
- After installing this product, be careful not to use this product to climb onto a machine, or to get anything snagged onto this product while it is mounted on equipment, etc. Failure to comply may result in falling off the machinery or product damage may occur.

Enforced

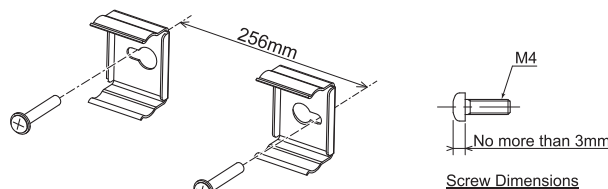
- To prevent from electrocution, disconnect power prior to mounting or performing maintenance.
- Verify the installation location is a firm location which can handle the weight of the product and has no adverse vibrations. If installed in a place where vibration is frequent and/or exceeds the specifications, damage to the product may occur.
- The designated screws should be used for installation. Any parts used that are not specified may result in product damage or personal injury.

Caution

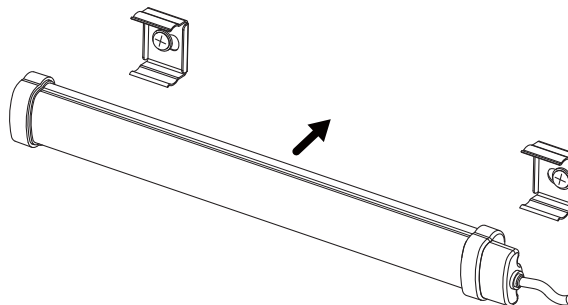
- Ensure this product is securely mounted, to prevent from falling, etc.
- This product is for indoor use only. (Not for outdoor use)
- Use protection to secure the standard bracket when mounting in a vertical direction.

Installation Procedure

- Install the bracket on a sturdy surface with M4 screws. (2 screws)



- After the bracket is mounted to a sturdy surface, snap the main unit into place.



5. Wiring and Proper Use

Warning



[Enforced]

- Be sure to disconnect the power when wiring, mounting, exchanging, or repairing the product. Failure to comply may result in damage of the internal circuitry and the danger of electric shock due to short-circuiting.

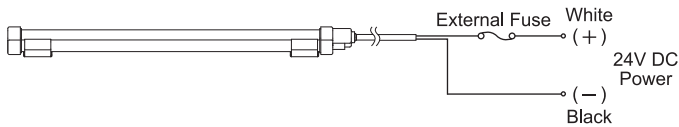
Caution



[Enforced]

- Check that the proper voltage is connected before applying power.
- Do not pull on the cable, or try to push it inside the unit. Possible cause of failure may occur. In addition, allow a margin of slack for the wire and cable to prevent stress.
- Use a constant-voltage regulated power supply. Possible cause of failure may occur with the use of a constant current power supply.
- Install a fuse to protect it from the power supply. The product can be protected by short-circuiting due to mis-wiring and overcurrents or overvoltages which can damage it.

Wiring Example



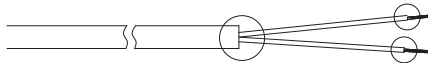
※ Use an external fuse rated for the machine, which is connected to the product, to protect the machine from damage.

Caution



[Enforced]

- **The protection rating does not include the cable ends. If the ends of the cable are in contact with water or exposed to dew or condensation, refer to the indications below to dress the cable ends for water and oil resistance.**
 - Connect the wire ends in a location which will not expose the ends to water or oil.
 - Use Fillers, such as silicon, etc., to seal the cable ends. Refer to the circled part of the figure below for the sections requiring protection from water and/or oil intrusion.



How to Use

Connecting the white wire (+) to positive and brown wire (-) to the negative and applying a 24V DC supply will turn the LED light on.

6. Maintenance and Inspection

If the product does not work after referring to the table below, please request for repair. In addition, if there are any questions concerning this product, feel free to contact your PATLITE Sales Representative.

Problem	Where to Check	What to Do
Does not light up	Is the power properly supplied?	Verify the voltage has been connected.
		Verify the proper polarity.
		Verify the proper voltage is supplied. (24V DC)
		Verify the external fuse has not been burned-out.

7. Specifications

Model	CWA3S-24-CD
Luminous Color	Daylight
Color Temperature (Typ.)	6500 K
Illuminance (at 24V DC, 1m)	100lx
Total Luminous Flux	350lm
Rated Voltage	24V DC (Polarized)
Operating Voltage	24V DC $\pm 10\%$
Current Consumption	175mA
Operating Temperature Range	-30 °C ~ +60 °C (RH90% or less, no condensation)
Main Body Material	Polycarbonate Resin (Waterproof Packing: Silicon)
Protection Rating	IP65 (Cable connector ends not included)
Mounting Location	Indoor Only
Mounting Direction	Any Direction
Insulation Resistance	500V DC 5M Ω or more
Withstand Voltage	500V AC for 1 minute (Between power terminal and screw)
Vibration Resitance	30Hz 19.6 m/s ² (Back and Forth, Up and Down, Left and Right for 2 hrs. each)
Mass	215g $\pm 10\%$

CAUTION

- Specifications and dimensions may change without prior notice for improvements, etc.
- Due to the characteristics of the LED, color temperature, brightness and hue will differ for every LED and every product.
- Since all IP examinations are done according to specified conditions and regulated time, the protection rating is not guaranteed for an extended period of time.
- The environmental condition for UL authentication is at the operating ambient air temperature of 25 °C.

PATLITE Corporation

G1D

International Division Sales & Marketing Department 8-8 Matsuya-machi, Chuo-ku, Osaka 542-0067 Japan	TEL. +81-6-6763-8220 FAX. +81-6-6763-8221
PATLITE (U.S.A.) Corporation 20130 S. Western Avenue, Torrance, CA 90501 U.S.A.	TEL. +1-310-328-3222 FAX. +1-310-328-2676
PATLITE Europe GmbH Am Soeldnermoos 8, D-85399 Hallbergmoos, Germany	TEL. +49-811-99819770-0 FAX. +49-811-99819770-9
PATLITE (SINGAPORE) PTE LTD No.2 Leng Kee Road, #05-01 Thye Hong Centre, Singapore 159086	TEL. +65-6226-1111 FAX. +65-6324-1411
PATLITE (CHINA) Corporation Room 512, Jufeng Business Building, No.697-3 Lingshi Road, Shanghai 200072, China	TEL. +86-21-6630-8969 FAX. +86-21-6630-8938
PATLITE KOREA CO., LTD. A-2603, Daesung D-POLIS, 543-1 Gasan-dong, Geumcheon-gu, Seoul, 153-719 Korea	TEL. +82-2-523-6636 FAX. +82-2-861-9919
PATLITE Japan Representative Office in Taiwan 7F. No. 91, Huayin St, Datong District Taipei, Taiwan R.O.C	TEL. +886-2-2555-1611 FAX. +886-2-2555-1621

<http://www.patlite.com/>